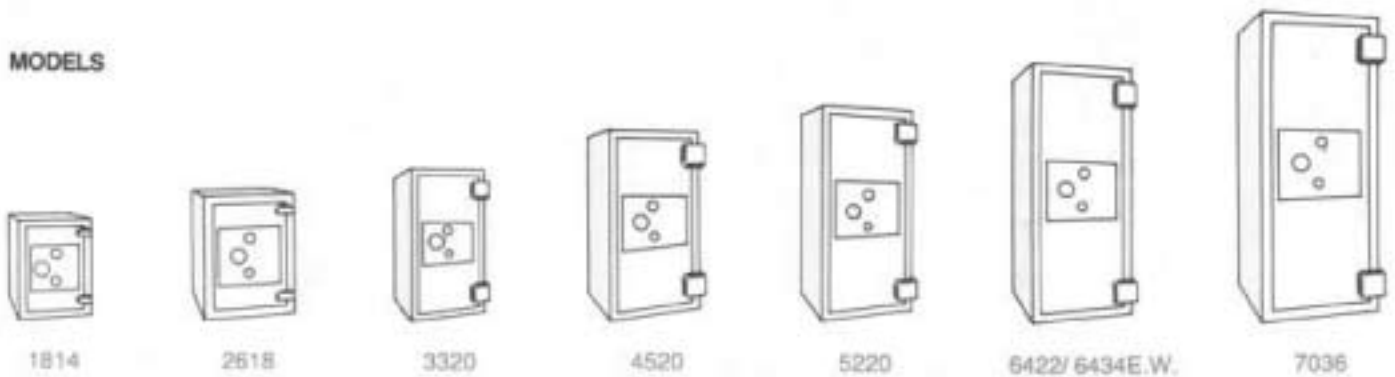


MODELS

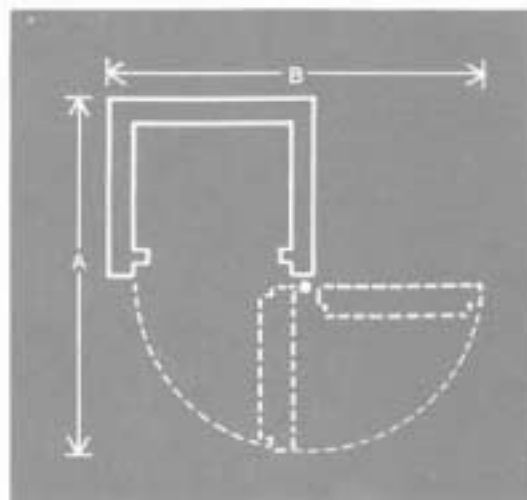


SPECIFICATIONS

Model	Internal (in.)			External (in.)*			Cubic Capacity (ft ³)	lb.	Shelves
	H	W	D	H	W	D			
1814	18	14	14	25	21	23	2.04	948	1
2618	26	18	18	33	25	28	4.87	1543	2
3320	33	20	20	40	27	30	7.6	1819	3
4520	45	20	20	52	27	30	10.41	2285	4
5220	52	20	22	59	27	32	13.24	2777	5
6422	64	22	25	71	29	35	20.37	3681	6
6434 E.W.	64	34	20	71	41	30	25.18	4385	6
7036	70	36	26	77	43	36	37.91	5246	6



DOOR SWING *add 2½" for handle



Door Swing	A	B
MODEL	90°	180°
1814	42½"	37"
2618	50½"	44¾"
3320	54½"	49½"
4520	54½"	49¼"
5220	56½"	49¼"
6422	62"	53"
6434	69"	77"
7036	77"	81¼"

Original Safe Co. reserves the right to alter any specification and make necessary improvements in the interest of providing the utmost in security. Shelves are removable and adjustable. Right handle door available.

ORIGINAL
SAFE & VAULT INC.

Distributed by: