

**NOTE: All interior components available at extra cost.**

**MODULES AND LOCKERS**

Numerous combinations of shelf and locker space are available with the standard modules shown below.

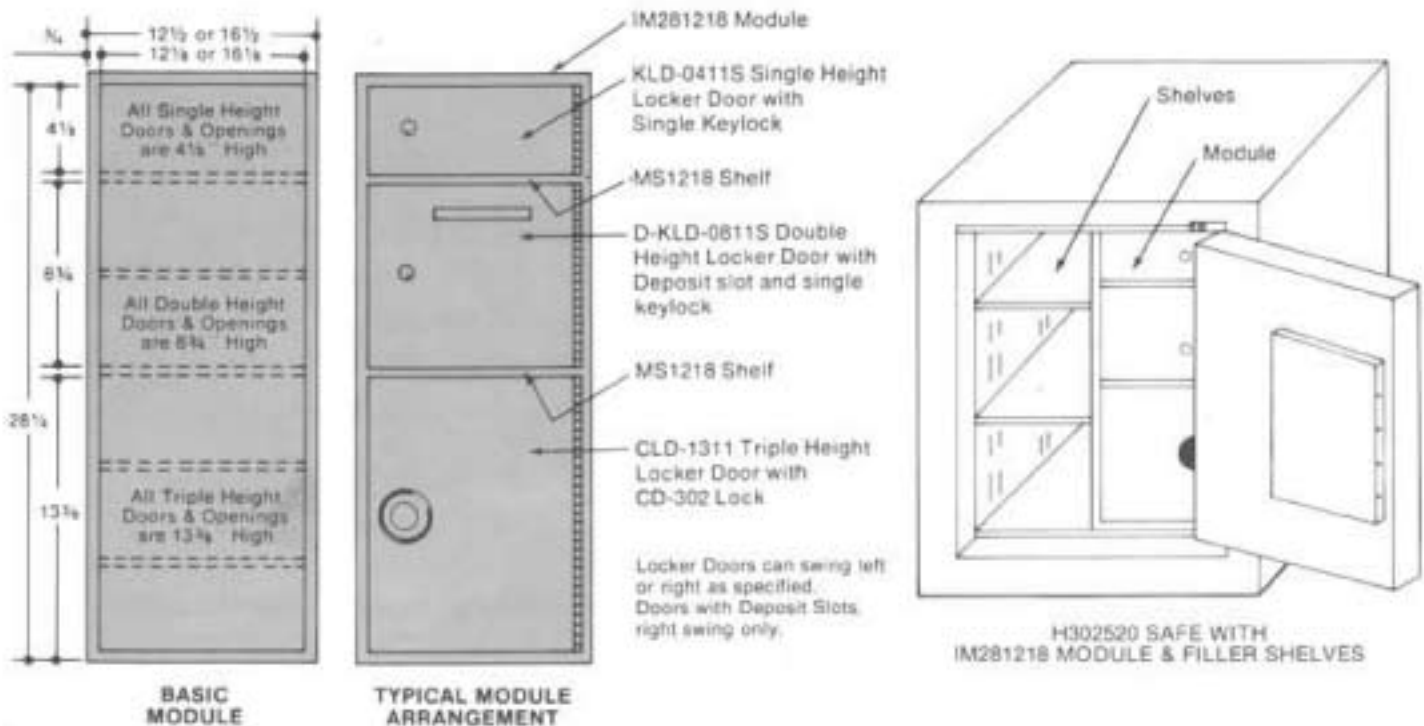
When using the IM281218 and IM281618, the module can be equipped with open shelves, or upgraded to lockers through use of 3 sizes of locker doors. A deposit slot is available on the larger 2 sizes of locker doors. Various lock options available for the locker doors include: single or dual keylocks, Mosler Group 2 combination locks, and Mosler Defender time delay locks.

**OTHER OPTIONS**

Heavy duty full width shelves spanning the full interior; filler shelves to go between the module and the safe wall; smaller safes, hoppers, and lockers to mount within these TRTL safes; and the use of Mosler record safe interiors as needed.

**STANDARD FINISH**

Textured Earth Beige T250. Eleven other colors available with some delay. See Mosler color chart.



**CATALOG NUMBERS and DIMENSIONS OF STANDARD TRTL-30X6 MONEY SAFES**

CATALOG NO.	PRODUCT CODE	HIGH	DIMENSIONS			CLEAR DOOR OPENING		CU. IN. CAPACITY	EST. SHIP. WT.
			WIDE	DEEP *	HIGH	WIDE			
H301820	368930	O/D I/D 41-1/8 30	30-3/8 19-1/4	35-3/16 20-1/2	30	18	11,838	4,040	
H302520	368630	O/D I/D 41-1/8 30	37-3/8 26-1/4	34-11/16 20	30	25	15,750	4,790	
H602520	368670	O/D I/D 71-5/8 60-1/2	37-3/8 26-1/4	34-11/16 20	60-1/2	25	31,763	7,570	
H363628	368640	O/D I/D 47-1/8 36	48-3/8 37-1/4	42-11/16 28	36	36	37,548	7,380	
H723628	368650	O/D I/D 83-5/8 72-1/2	48-3/8 37-1/4	42-11/16 28	72-1/2	36	75,618	11,790	

\*Handle projects 3/4" beyond body depth.